




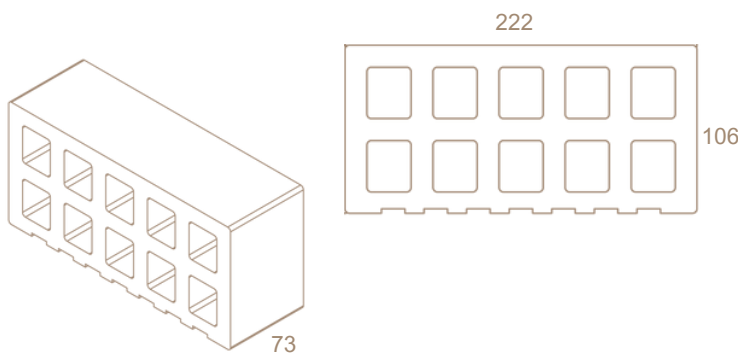
Klay



SPECIFICATIONS

CLASS	FBS222S
COVERAGE	52/m ²
DESCRIPTION	Clay FBS Satin Imperial FBS - Clay bricks that are selected or produced for their durability and uniformity of size and shape
TEXTURE	Satin
AVE. COMPRESSIVE STRENGTH	>20 MPa
AVE. PRODUCT WEIGHT	2.4 Kg
AVE. WATER ABSORPTION	<7%
AVE. SIZE	222mm x 106mm x 73mm (Length x Width x Height)
COLOURS	 Chai  Espresso  Latte

EDGE BUILDING CLASS Cored (with holes) bricks/blocks; cavity larger than 25% is considered cored in edge



BRICK QUANTITIES

FORMAT	Imperial
BRICKS PER M ²	52
Based on single-skin construction with 10mm joints	
M ² PER 1000 BRICKS	19.23

Advantages of Klay Bricks

Clay face bricks offer numerous advantages in construction. Their satin-smooth finish, paired with the natural beauty of clay, enhances a building's aesthetic appeal. Additionally, their long life cycle ensures durability and reduces maintenance costs, making them a highly cost-effective choice. When combined with proper facebrick blending techniques, these bricks create a visually seamless and harmonious facade, further elevating the architectural design.

Satin FBS