

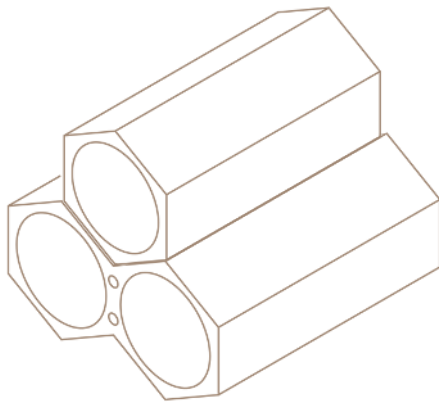
Klay

SPECIFICATIONS

PRODUCT ID WINE 1 | 2

DESCRIPTION Clay Wine Rack

COLOURS Chai Espresso Latte



Wine 1 2.35 kg

240 X 130 X 115

Length x Height x Width

Wine 2 4.5 kg

240 X 130 X 228

Length x Height x Width

Allow 1.5% size variation

Wine Racks & End Stops

Fired clay (terracotta) wine racks provide several advantages for wine storage. They help maintain a consistent storage temperature and humidity, shielding wine from temperature fluctuations.

The durability of terracotta ensures that these racks do not deteriorate even in cool, humid cellar conditions, making them perfect for wine storage. Beyond their practical benefits, terracotta wine racks are also visually appealing, serving as an attractive feature in any setting. Their unique hexagonal shape allows for the addition of more racks as needed, offering a customizable storage solution.

To enhance the display further, a wine rack end stop can be incorporated. This addition completes the honeycomb design, enabling the wine racks to be displayed freestanding while giving the overall setup a polished and finished look.

Clay Wine Rack