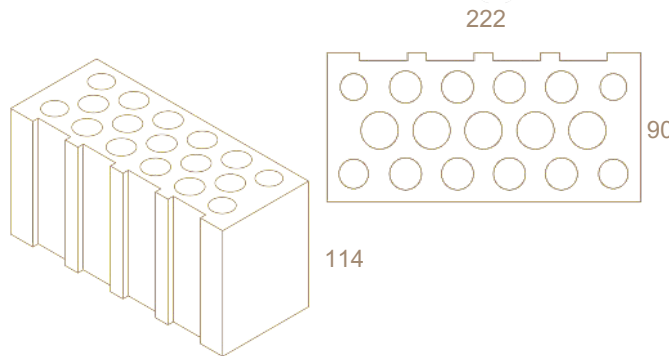


Klay

Maxi Plaster Brick NFP

SPECIFICATIONS

CLASS	NFP Maxi M1NF
COVERAGE	35/m ²
DESCRIPTION	Clay Cored SANS 227 2.12 "Hollow Masonry Unit" containing cavities constituting in excess of 25% but not exceeding 60%, of the gross volume of the unit
AVE. COMPRESSIVE STRENGTH	7 - 13 MPa
AVE. PRODUCT WEIGHT	2.8 Kg
AVE. WATER ABSORPTION	<15%
AVE. SIZE	222mm x 90mm x 114mm (Length x Width x Height)
EDGE BUILDING CLASS	Cored (with holes) bricks/blocks; cavity larger than 25% is considered cored in edge



BRICK QUANTITIES

FORMAT	Maxi
BRICKS PER M ² Based on single-skin construction with 12mm joints	35
M ² PER 1000 BRICKS	29.4

Advantages of Klay Bricks

Vertically perforated products offer superior compressive strength and eliminate the need to plug corner voids before plastering, unlike horizontal perforations. Heavy mountings and safes can be securely fixed with rawl bolts, as bricks have fewer large internal voids compared to horizontally perforated ones. The use of robot setting with process control ensures consistent quality, reduces mortar usage, and simplifies plastering. Additionally, modern mobile rotary kilns, which utilize embodied energy and feature desulfurization scrubbers, effectively remove harmful emissions.