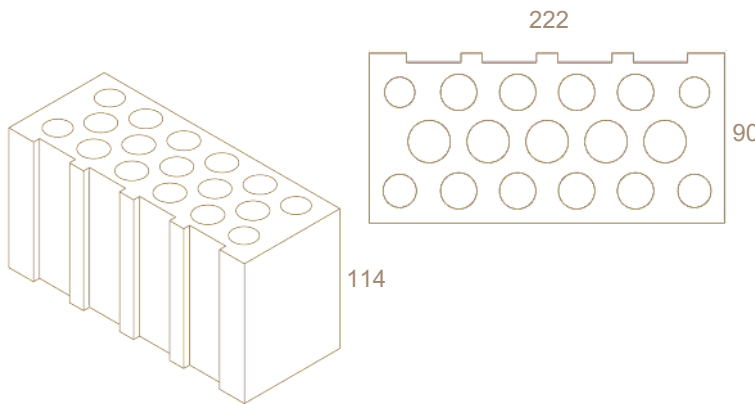


Klay

Maxi Plaster Brick NFX

SPECIFICATIONS

CLASS	NFX Maxi Solid MXNF
COVERAGE	35/m ²
DESCRIPTION	Clay Solid SANS 227 2.15 "Solid Masonry unit" - A masonry unit either containing no cavities or containing cavities not exceeding 25% of the gross volume of the unit
AVE. COMPRESSIVE STRENGTH	>16 MPa
AVE. PRODUCT WEIGHT	3.2 Kg
AVE. WATER ABSORPTION	<11%
AVE. SIZE	222mm x 90mm x 114mm (Length x Width x Height)



BRICK QUANTITIES

FORMAT	Maxi
BRICKS PER M ² Based on single-skin construction with 12mm joints	35
M ² PER 1000 BRICKS	29.4

Advantages of Klay Bricks

Vertically perforated products offer superior compressive strength and eliminate the need to plug corner voids before plastering, unlike horizontal perforations. Heavy mountings and safes can be securely fixed with rawl bolts, as bricks have fewer large internal voids compared to horizontally perforated ones. The use of robot setting with process control ensures consistent quality, reduces mortar usage, and simplifies plastering. Additionally, modern mobile rotary kilns, which utilize embodied energy and feature desulfurization scrubbers, effectively remove harmful emissions.