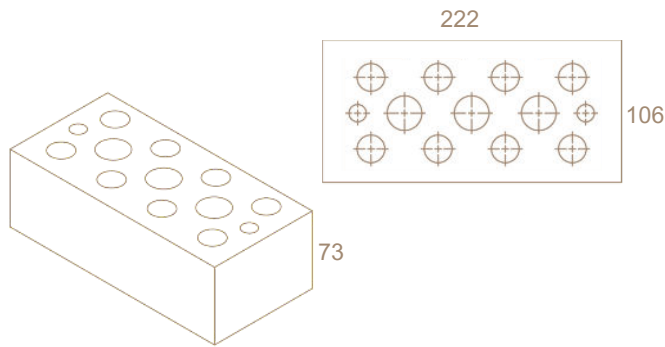


Klay

Kalahari Travertine FBA

SPECIFICATIONS

CLASS	R1FBAT
COVERAGE	52/m ²
DESCRIPTION	Clay vertically perforated travertine FBA. FBA - Clay bricks that are selected or produced for their durability and aesthetic effect deriving from non-uniformity of size, shape, or colour
TEXTURE	Travertine
AVE. COMPRESSIVE STRENGTH	>14 MPa
AVE. PRODUCT WEIGHT	2.2 Kg
AVE. WATER ABSORPTION	<9%
AVE. SIZE	222mm x 106mm x 73mm (Length x Width x Height)



BRICK QUANTITIES

FORMAT	Imperial
BRICKS PER M ²	52
M ² PER 1000 BRICKS	19.23

Advantages of Klay Bricks

Clay face bricks offer numerous advantages in construction. Their travertine finish in natural clay enhances a building's aesthetic appeal, while their long life cycle ensures durability and reduces maintenance costs, making them a cost-effective choice.

Vertically perforated designs provide superior compressive strength, contributing to structural robustness.

The manufacturing process, which includes robotic setting and process control, ensures consistent quality and minimizes mortar usage.