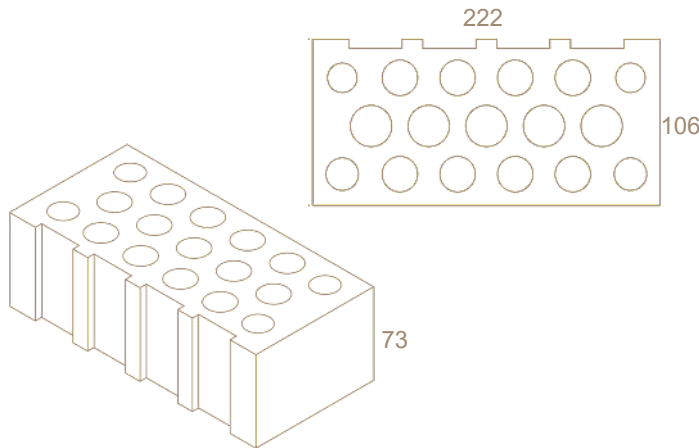


Klay

Imperial Plaster Brick NFP

SPECIFICATIONS

CLASS	Imperial NFP R1NF
COVERAGE	52/m ²
DESCRIPTION	Clay Cored SANS 227 2.12 "Hollow Masonry Unit" containing cavities constituting in excess of 25% but not exceeding 60%, of the gross volume of the unit
AVE. COMPRESSIVE STRENGTH	7 - 13 MPa
AVE. PRODUCT WEIGHT	2.0 Kg
AVE. WATER ABSORPTION	<15%
AVE. SIZE	222mm x 106mm x 73mm (Length x Width x Height)
EDGE BUILDING CLASS	Cored (with holes) bricks/blocks; cavity larger than 25% is considered cored in edge



BRICK QUANTITIES

FORMAT	Imperial
BRICKS PER M ² Based on single-skin construction with 10mm joints	52
M ² PER 1000 BRICKS	19.23

Advantages of Klay Bricks

Vertically perforated products offer superior compressive strength and eliminate the need to plug corner voids before plastering, unlike horizontal perforations. Heavy mountings can be securely fixed with rawl bolts, as bricks have fewer large internal voids compared to horizontally perforated ones. The use of robot setting with process control ensures consistent quality and sizing, reduces mortar usage, and simplifies plastering. Additionally, modern mobile rotary kilns utilize a fraction of the embodied energy of traditional clay brick-making technology.