

# Klay

## SPECIFICATIONS

PRODUCT ID FBALT

COVERAGE 52/m<sup>2</sup> (10mm mortar joint)

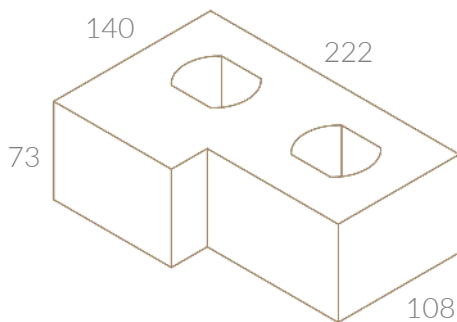
DESCRIPTION FBA L Shape

MASS 3.6 Kg

SIZE 222 mm (length)  
140mm | 108 mm (width)  
73 mm (height)

FINISH Travertine | Smooth

COLOURS ■ Chai ■ Espresso



Allow 1.5% size variation

### FBA L Shape

Incorporating a brick feature into your design can add a unique element that enhances both the aesthetic and structural aspects of a building.

This addition not only elevates the visual appeal by introducing texture, colour, and pattern variations but also adds depth and character to the overall structure. By strategically using brick as a feature, architects and engineers can create focal points that draw the eye and provide a sense of timelessness and solidity.

It's a versatile choice that complements various design styles, making it a popular option for those looking to achieve a balance between modern elegance and traditional charm.

FBA L Shape