

Klay

SPECIFICATIONS

PRODUCT ID BT160S

COVERAGE 6/linear m

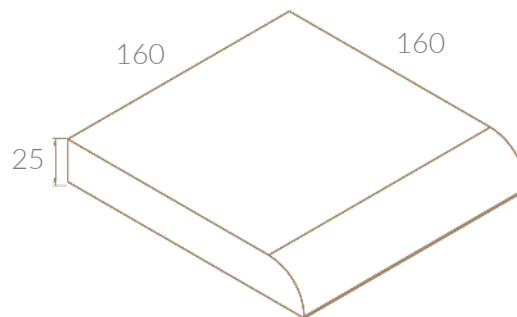
DESCRIPTION Cape Quarry Tile Bullnose

MASS 1.1 Kg

SIZE
160 mm (length)
160mm (width)
25 mm (height)

FINISH Smooth

COLOURS Chai Espresso



Allow 1.5% size variation

ADVANTAGES OF BULLNOSE TILES

The bullnose tile is an excellent finishing product, providing a smooth, rounded edge for steps, patio edges, or wall capping. With its distinctive rounded edges, the bullnose tile serves as an effective edge treatment or trim piece, often used to cover corners or outline the perimeter of a tile design.

It helps to soften sharp angles and hides the unfinished sides of tiles on your floor or wall, creating a more polished look.

Natural clay bullnose tiles offer the added benefits of durability and an appealing appearance. They also pair nicely with matching quarry tiles to create a cohesive, natural aesthetic and colour scheme.

Bullnose Tile